

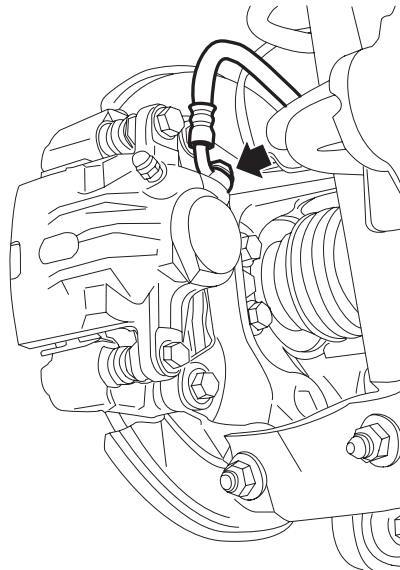
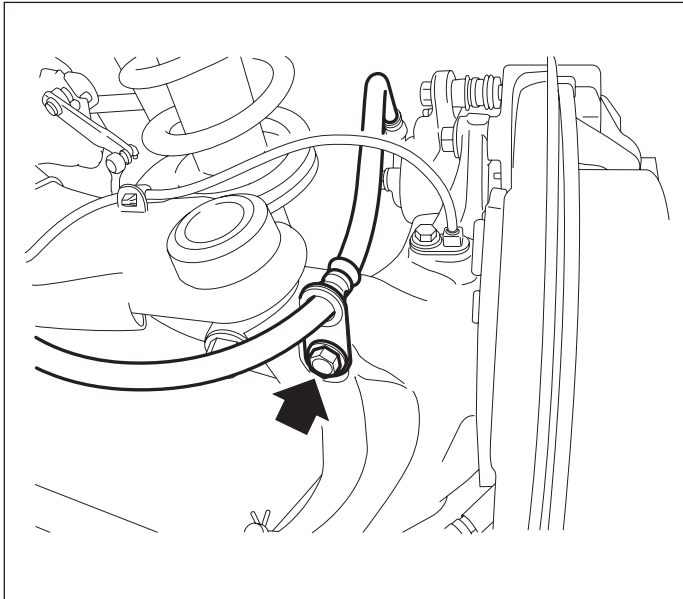
8. Rear Disc Brake Assembly

A: REMOVAL

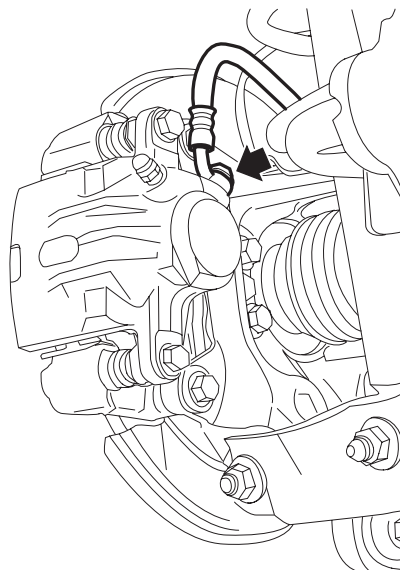
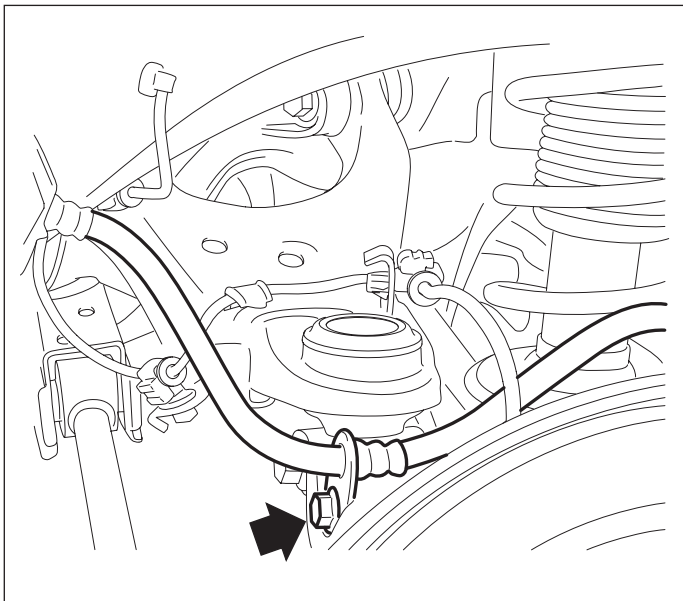
CAUTION:

Do not allow brake fluid to come in contact with the painted surface of the vehicle body. If it does, wash off with water and wipe away completely.

- 1) Lift up the vehicle, and then remove the rear wheels.
- 2) Remove the caliper body assembly from the support - rear disc brake.
 - (1) Remove the brake hose bracket and union bolt.



BR-00964

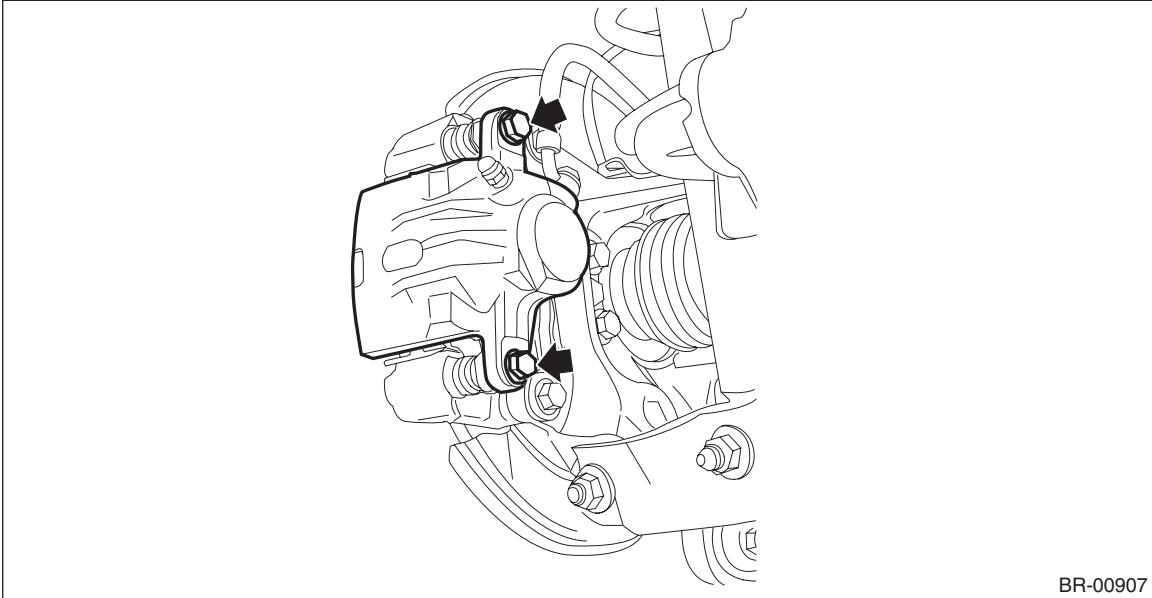


BR-01003

Rear Disc Brake Assembly

BRAKE

- (2) Remove the caliper bolt, and remove the caliper body assembly.



- 3) Remove the support - rear disc brake.

NOTE:

Remove the support - rear disc brake only when replacing the disc rotor or the support - rear disc brake. It is not necessary to remove it when servicing the caliper body assembly.

- (1) Remove the brake pad from support - rear disc brake.
- (2) Remove the mounting bolts, and then remove the support - rear disc brake from the housing assembly - rear axle.

B: INSTALLATION

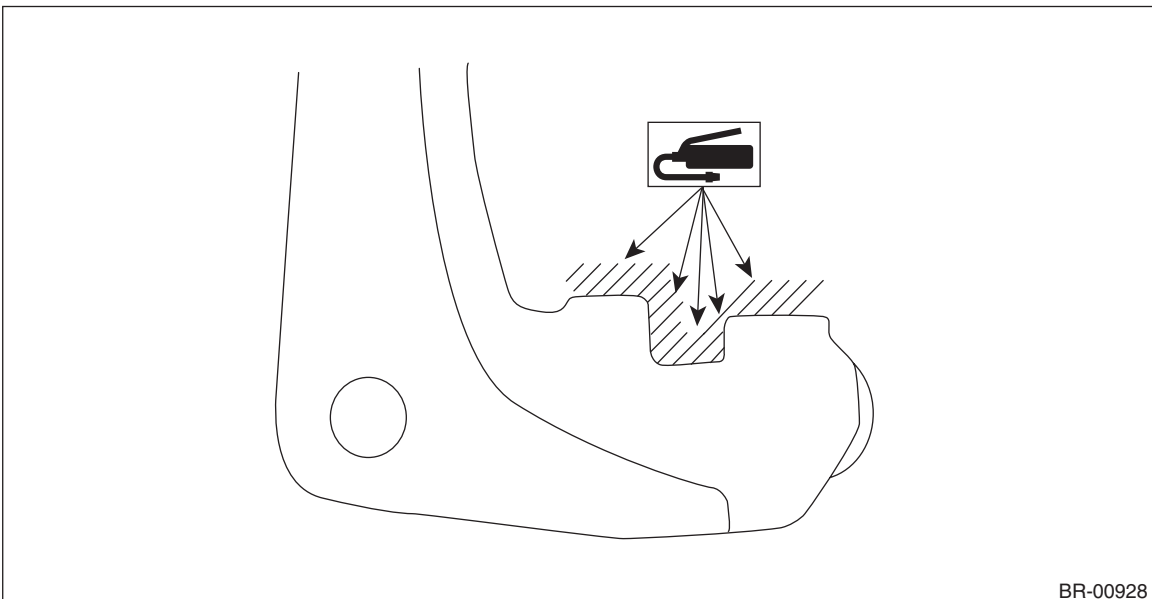
NOTE:

Before installation, remove mud and foreign matter from the caliper body assembly and support - rear disc brake.

- 1) Before installation, check each part. <Ref. to BR-45, INSPECTION, Rear Disc Brake Assembly.>
- 2) Apply a thin coat of grease contained in the pad kit to the support - rear disc brake.

Grease:

Grease contained in the pad kit or equivalent



3) Install the support - rear disc brake to the housing assembly - rear axle.

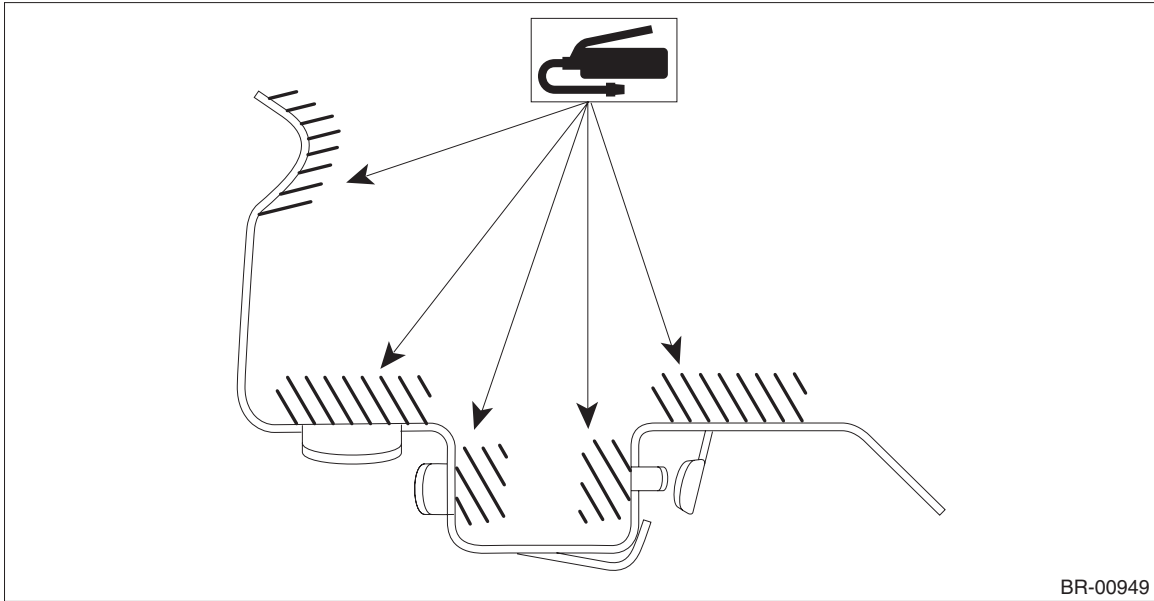
Tightening torque:

Mounting bolt: 66 N·m (6.73 kgf·m, 48.7 ft·lb)

4) Apply a thin coat of grease to the pad clip.

Grease:

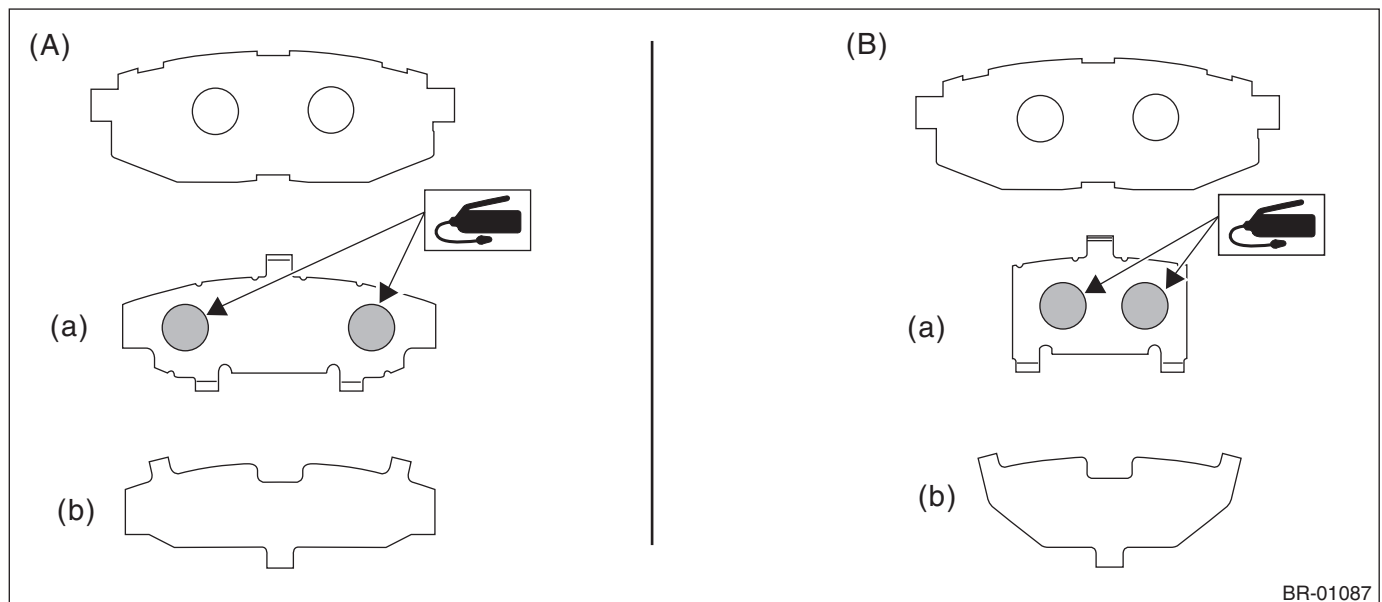
Grease contained in the pad kit or equivalent



5) Apply a thin coat of grease to the shim - disc brake rear inner (a) and the shim - disc brake rear outer (b).

Grease:

Grease contained in the pad kit or WAKO grease V160



(A) Pad - disc brake rear outer

(B) Pad - disc brake rear inner

6) Install the brake pad to the support - rear disc brake.

7) Install the caliper body assembly to the support - rear disc brake.

Tightening torque:

Caliper bolt: 27 N·m (2.75 kgf·m, 19.9 ft·lb)

Rear Disc Brake Assembly

BRAKE

8) Install the brake hose bracket.

Tightening torque:

Brake hose bracket: 33 N·m (3.36 kgf-m, 14.3 ft-lb)

9) Connect the brake hose using a new brake hose gasket.

Tightening torque:

Union bolt: 26 N·m (2.65 kgf-m, 19.2 ft-lb)

10) Bleed air from the brake system. <Ref. to BR-64, BRAKE LINE, PROCEDURE, Air Bleeding.>

11) Install the rear wheels.

Tightening torque:

Except for C4 model: 120 N·m (12.24 kgf-m, 88.5 ft-lb)

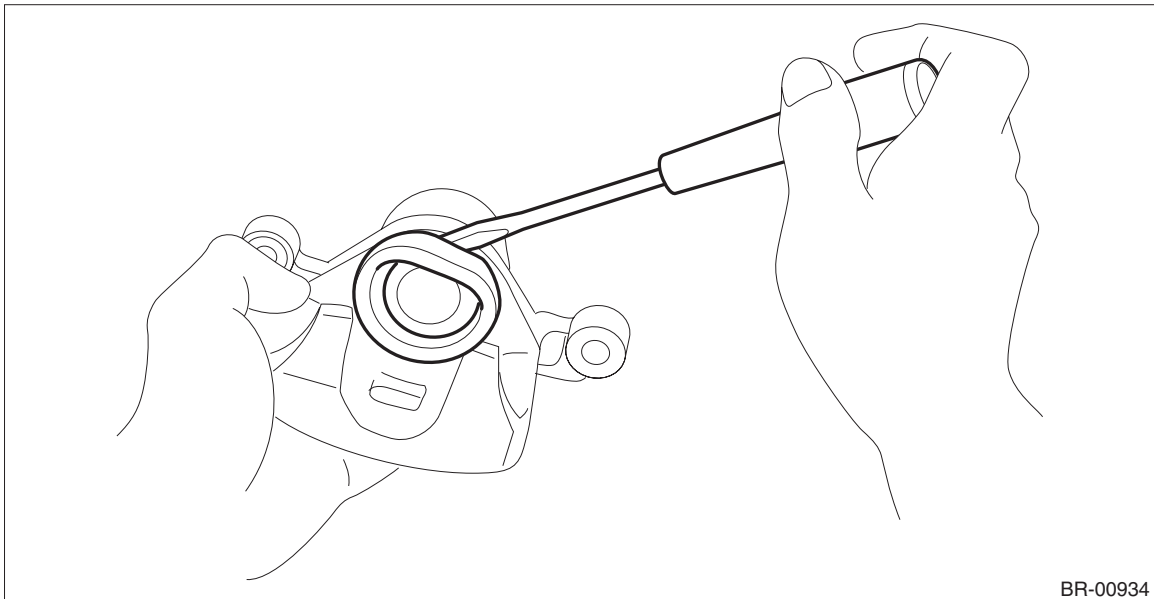
C4 model: 100 N·m (10.20 kgf-m, 73.8 ft-lb)

C: DISASSEMBLY

CAUTION:

Be careful not to allow foreign matter to enter the brake hose connector.

- 1) Remove mud and foreign matter from the caliper body assembly.
- 2) Remove the piston boot from caliper body cylinder.

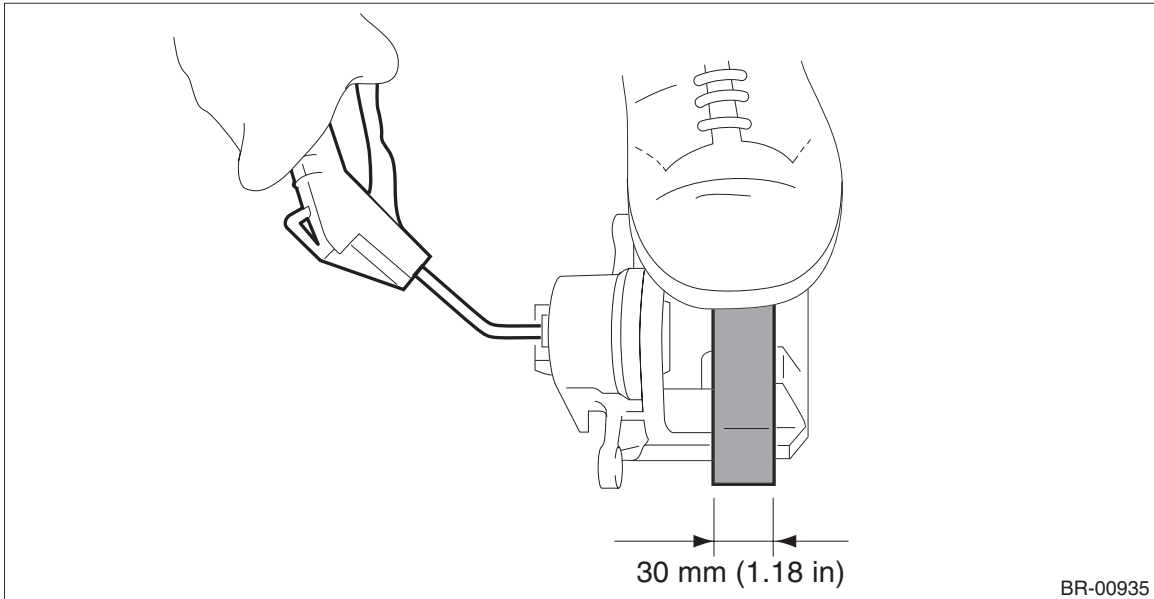


BR-00934

3) Remove the piston - disc brake.

(1) Place a wooden block in the caliper body assembly as shown in the figure to prevent the piston - disc brake from jumping out and being damaged.

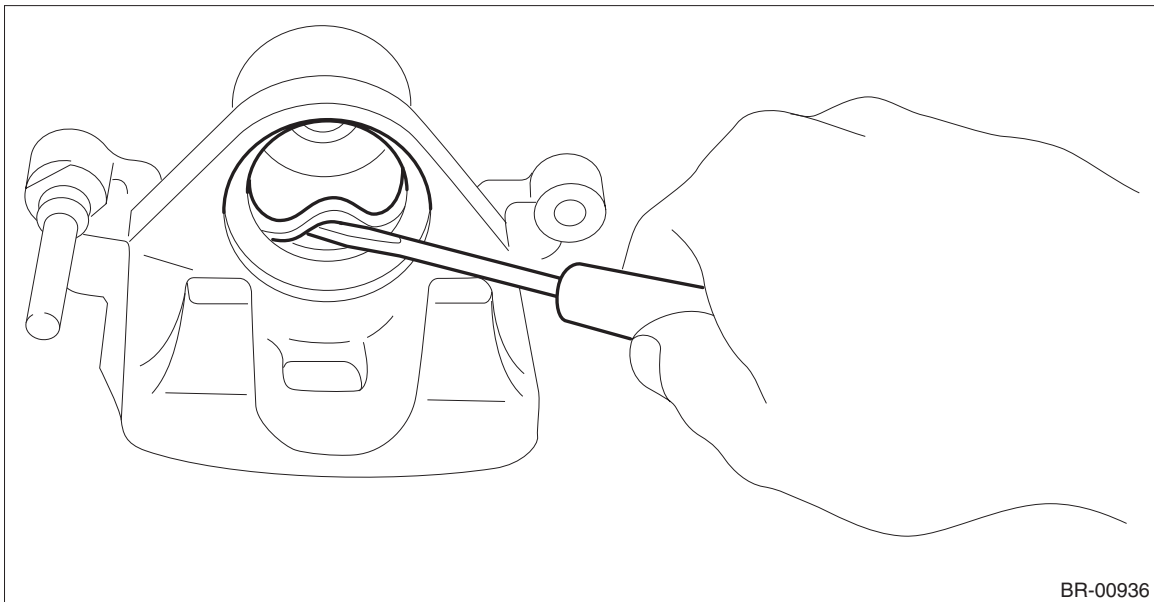
(2) Using an air gun, gradually apply compressed air via the brake hose installation hole to push out the piston - disc brake.



4) Remove the piston seal from caliper body cylinder.

CAUTION:

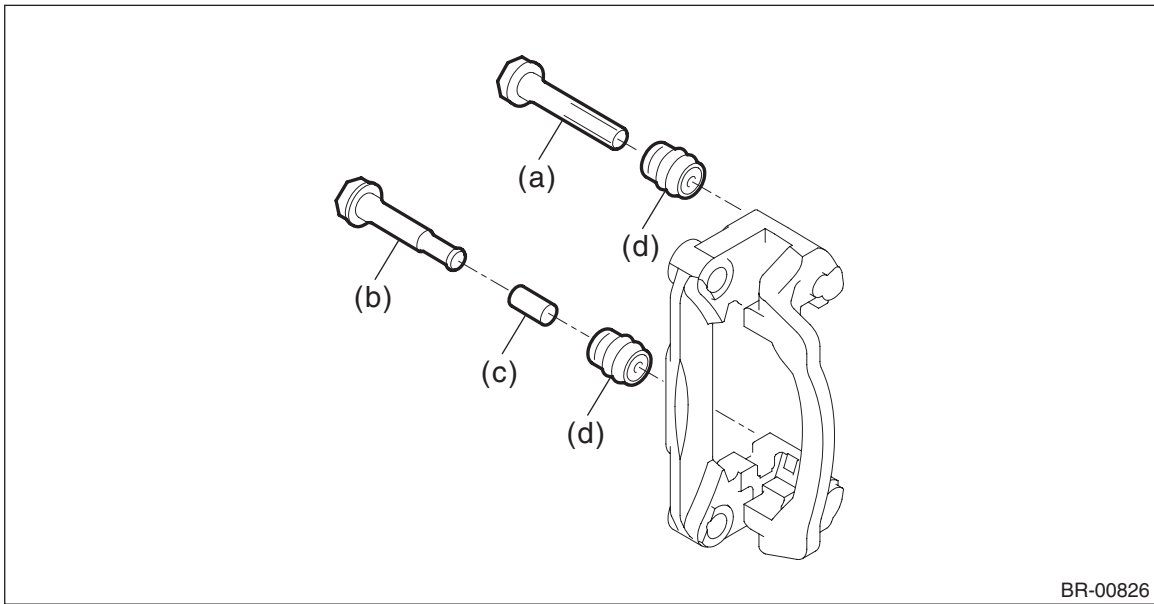
Do not damage the cylinder and piston seal groove.



Rear Disc Brake Assembly

BRAKE

5) Remove the guide pin - rear brake, lock pin - rear brake, lock pin - sleeve, and pin boot from the support - rear disc brake.



(a) Guide pin - rear brake (black)

(c) Lock pin - sleeve

(d) Pin boot

(b) Lock pin - rear brake (silver)

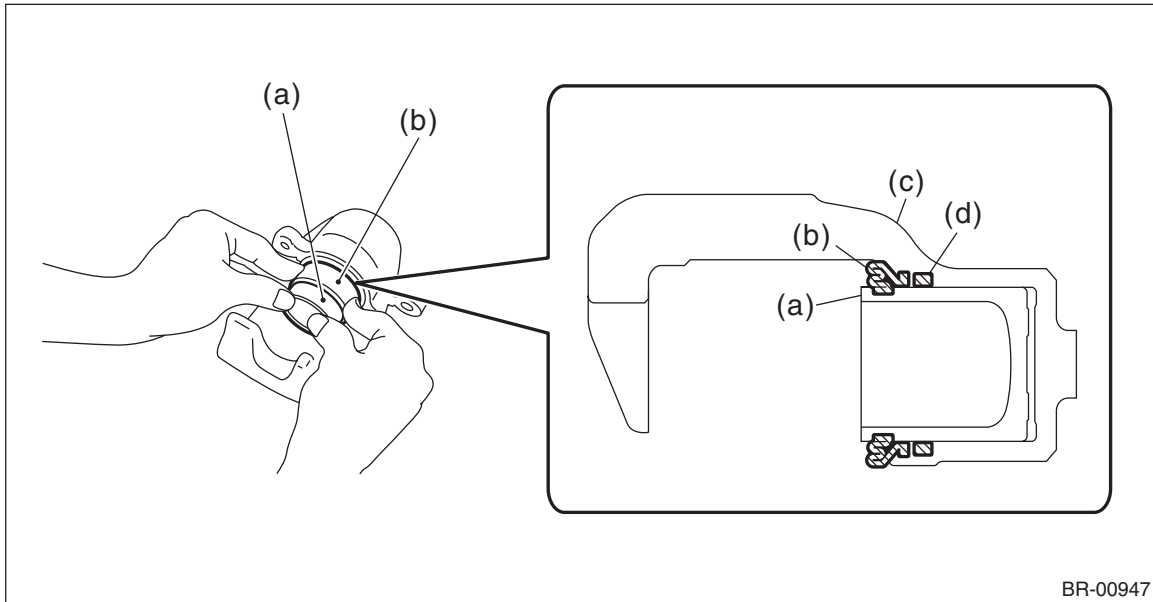
D: ASSEMBLY

- 1) Before installation, check each part. <Ref. to BR-45, INSPECTION, Rear Disc Brake Assembly.>
- 2) Clean the inside of the caliper body cylinder using brake fluid.
- 3) Apply a coat of brake fluid to piston seal and install the piston seal to the caliper body cylinder groove.
- 4) Apply a coat of brake fluid to the inner surface of caliper body cylinder and the entire outer surface of the piston - disc brake.
- 5) Apply grease contained in the piston seal kit to the piston boot, and install it to the groove at the end of the cylinder.
- 6) Insert the piston - disc brake into the caliper body cylinder.

CAUTION:

Do not force the piston - disc brake into the caliper body cylinder.

7) Position the piston boot in the grooves on the piston - disc brake and the caliper body cylinder.



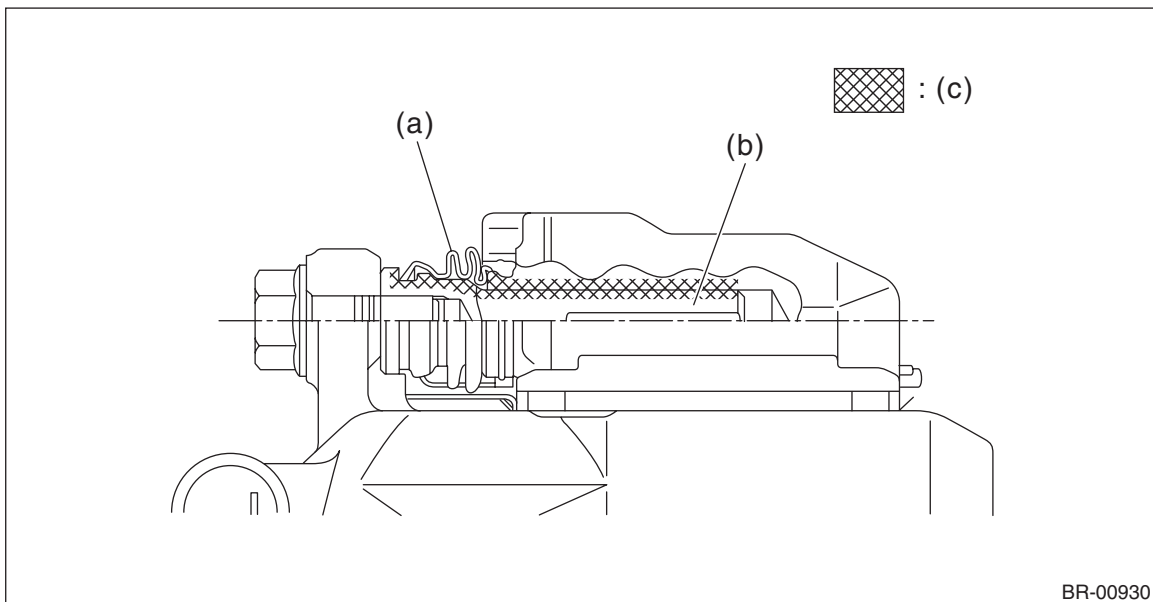
- (a) Piston - disc brake
- (b) Piston boot
- (c) Caliper body
- (d) Piston seal

8) Apply grease contained in the piston seal kit to the lock pin - rear brake, the outer surface of guide pin - rear brake, the inner surface of support cylinder, and the grooves of pin boot.

9) Install the pin boot to the lock pin - rear brake and guide pin - rear brake, and insert them into the support cylinder.

CAUTION:

Insert the lock pin - rear brake and guide pin - rear brake into specified position, and make sure that they slide and seat properly.



- (a) Pin boot
- (b) Lock pin - rear brake or guide pin - rear brake
- (c) Grease applied area

E: INSPECTION

- 1) Check the caliper body cylinder and piston - disc brake for uneven wear, damage or rust.
- 2) Check the rubber parts for damage or deterioration.
- 3) If faulty is found in the inspection, replace the relevant part.